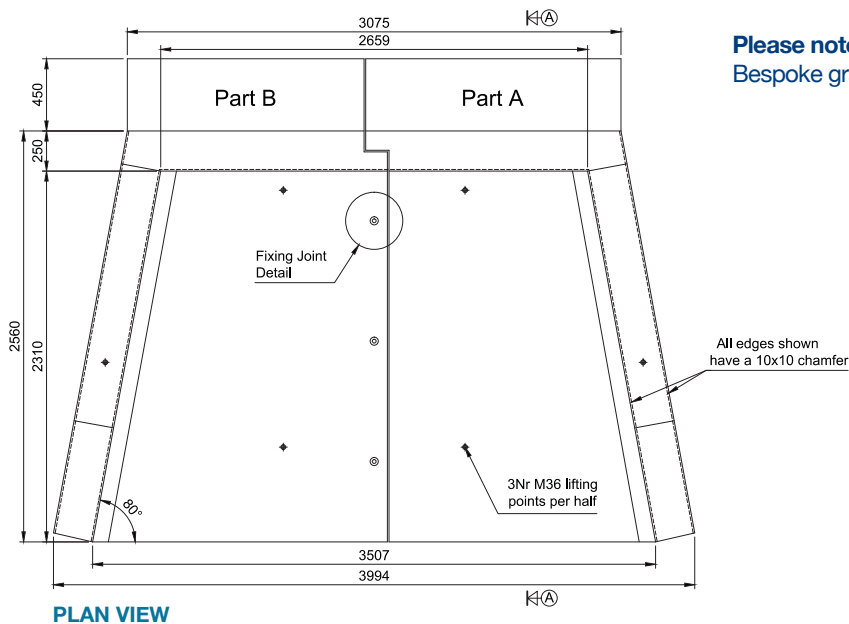


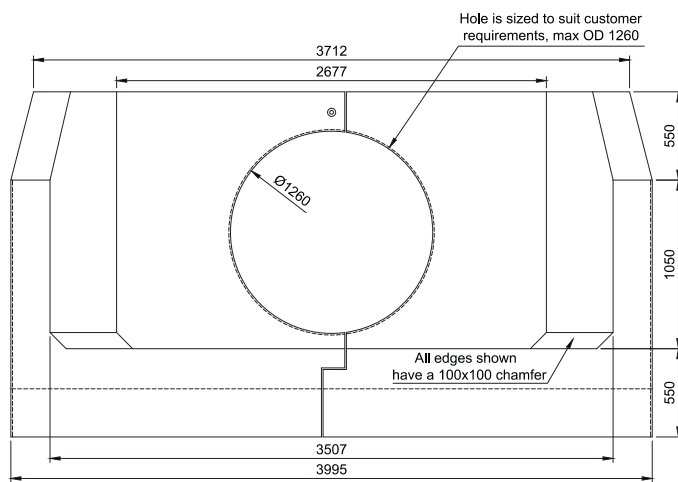
XXL-T3 headwall

Pipe size: up to 1050mm

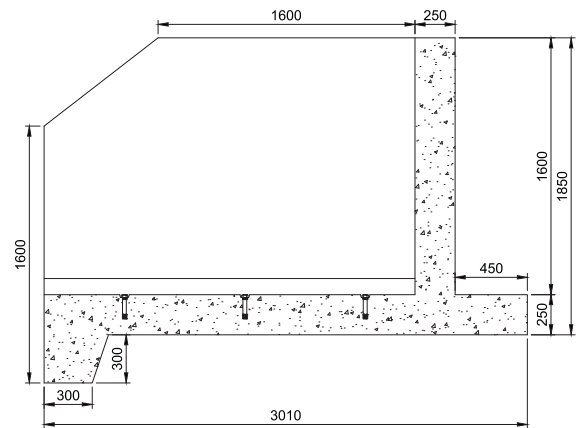


PLAN VIEW

Please note:
Bespoke grates and handrails are available upon request.



FRONT ELEVATION



SECTION A-A

Headwall Range	Up to and including Pipe Sizes	Max Pipe O.D.	Back Wall Height (external)	Front Wall Height (external)	Backwall Width (internal)	Front Wall Width (internal)	Headwall Length	Standard invert level (variable)	Wall Thickness	Floor Thickness	Approx. weight kg
HW XXL-T3	1050	1260	1850	1600	2659	3507	3010	100	250	250	Part A 8421 Part B 8421