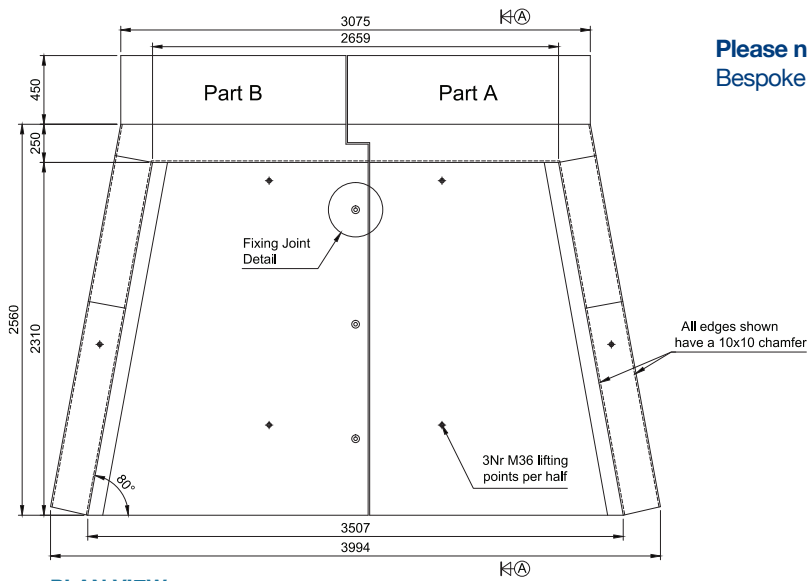
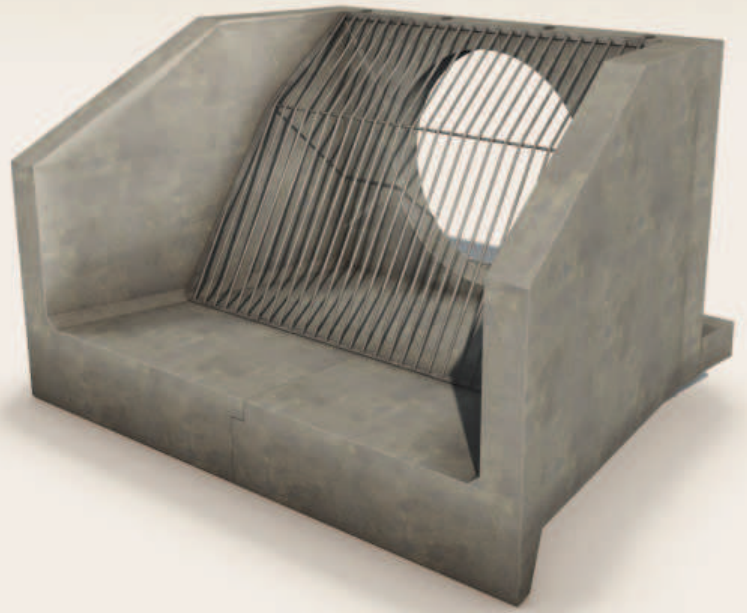


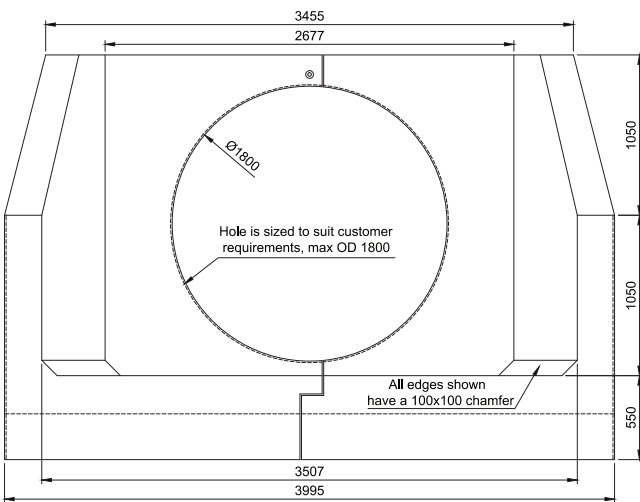
# XXL-T2 headwall

Pipe size: up to 1500mm

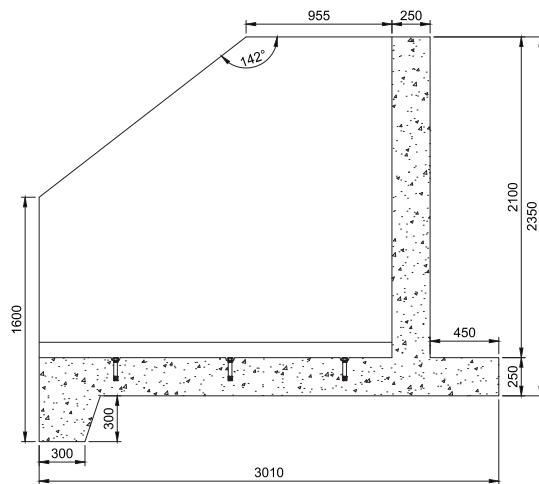


PLAN VIEW

**Please note:**  
Bespoke grates and handrails are available upon request.



FRONT ELEVATION



SECTION A-A

Headwall Range	Up to and including Pipe Sizes	Max Pipe O.D.	Back Wall Height (external)	Front Wall Height (external)	Backwall Width (internal)	Front Wall Width (internal)	Headwall Length	Standard invert level (variable)	Wall Thickness	Floor Thickness	Approx. weight kg
HW XXL-T2	1500	1800	2350	1600	2659	3507	3010	100	250	250	Part A 9205 Part B 9205