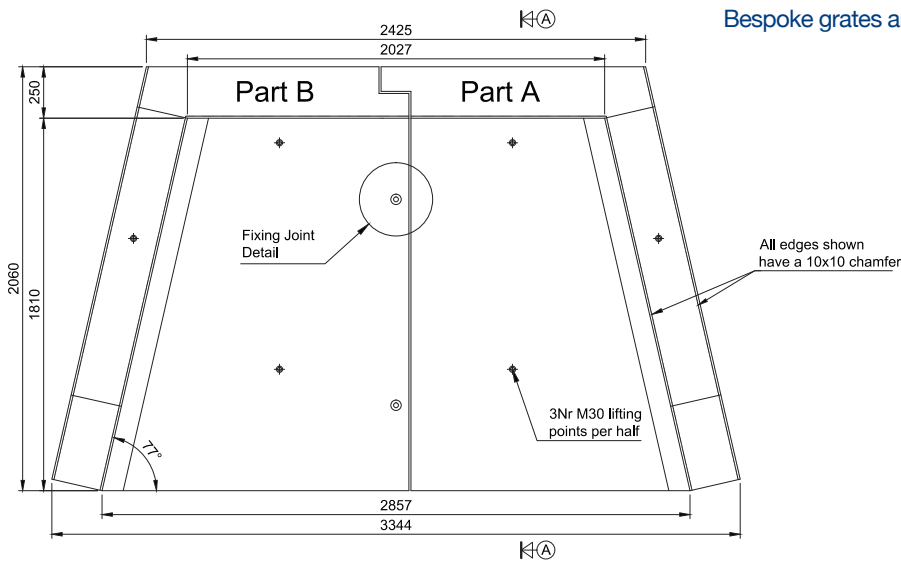


XL-T4 headwall

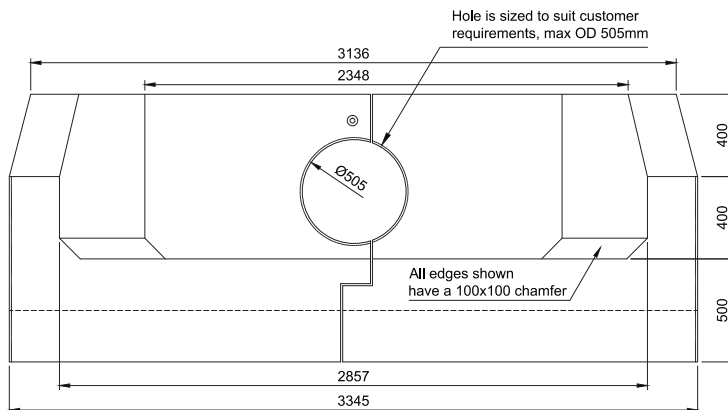
Pipe size: up to 375mm



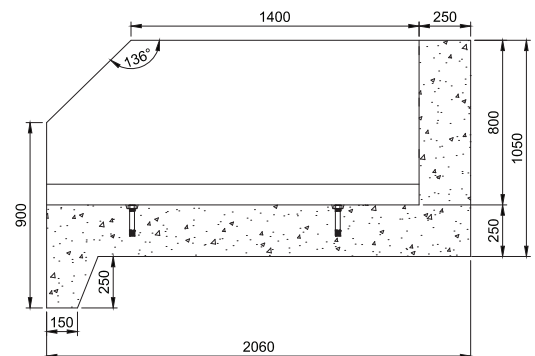
Please note:
Bespoke grates and handrails are available upon request.



PLAN VIEW



FRONT ELEVATION



SECTION A-A

Headwall Range	Up to and including Pipe Sizes	Max Pipe O.D.	Back Wall Height (external)	Front Wall Height (external)	Backwall Width (internal)	Front Wall Width (internal)	Headwall Length	Standard invert level (variable)	Wall Thickness	Floor Thickness	Approx. weight kg
HW XL-T4	375	505	1050	900	2027	2857	2060	100	250	250	Part A 2646 Part B 2646