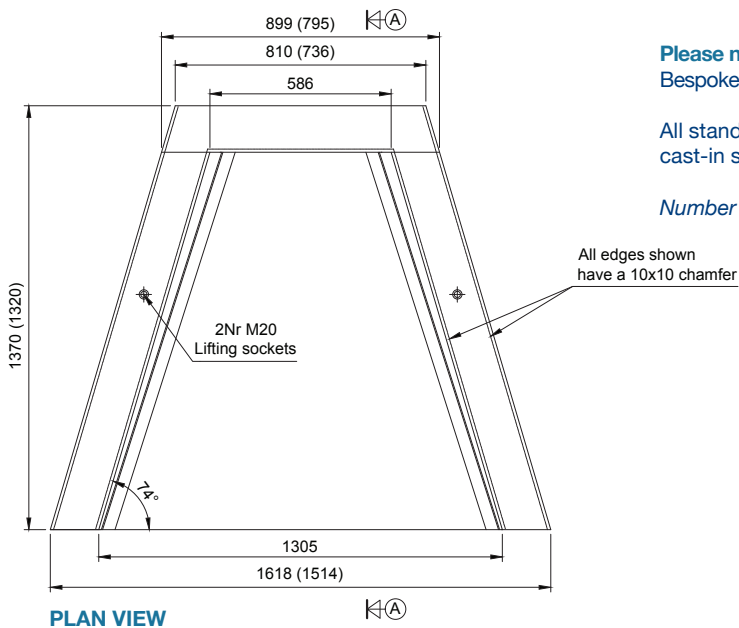


Small headwall

Pipe size: up to 300mm



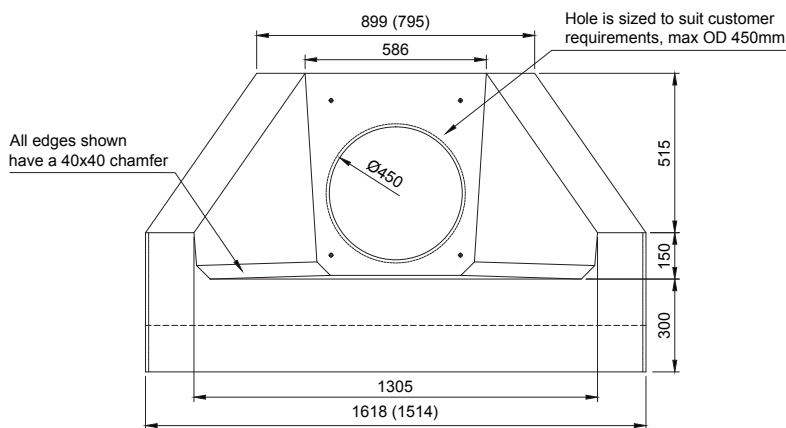
PLAN VIEW

Please note:

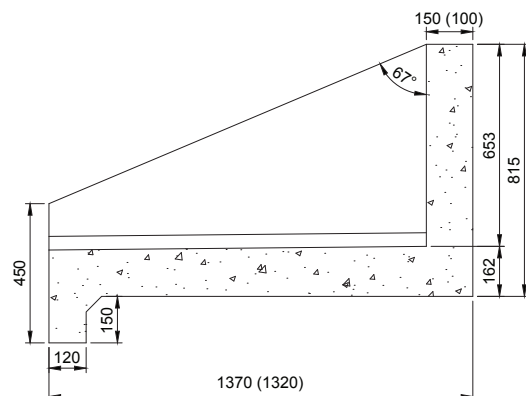
Bespoke grates and handrails are available upon request.

All standard headwalls are supplied complete with toe and 2 or 3 cast-in screw thread sockets and lifting loops.

Number in brackets relates to small headwall with 100mm wall.



FRONT ELEVATION



SECTION A-A

Headwall Range	Up to and including Pipe Sizes	Max Pipe O.D.	Back Wall Height (external)	Front Wall Height (external)	Backwall Width (internal)	Front Wall Width (internal)	Headwall Length	Standard invert level (variable)	Wall Thickness	Floor Thickness	Approx. weight kg
HW Small 100	300	450	815	450	586	1305	1320	100	100	162	1100
HW Small 150	300	450	815	450	586	1305	1370	100	150	162	1390