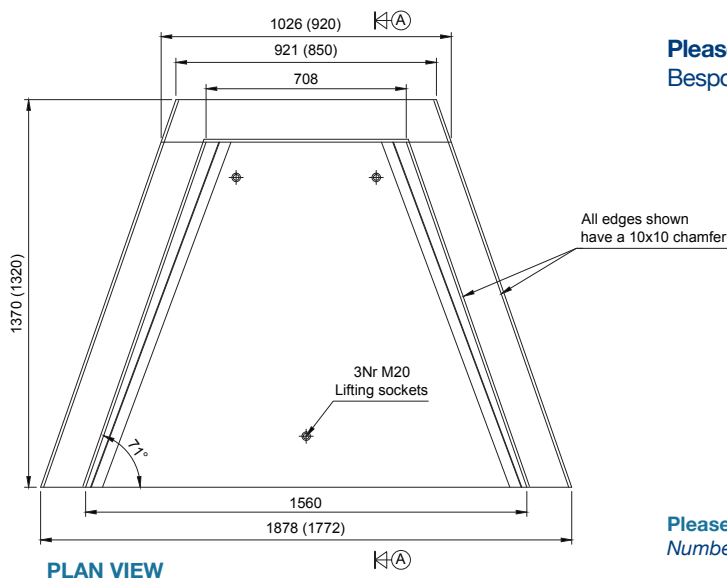


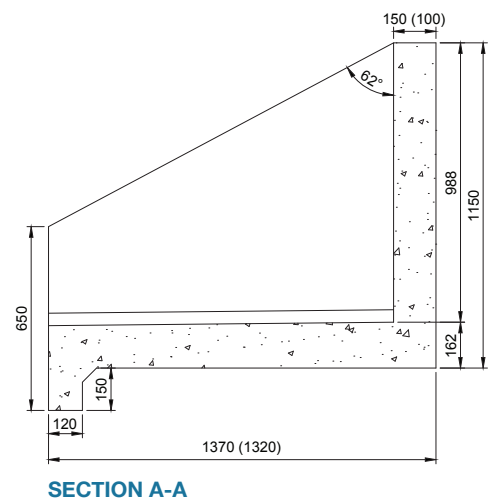
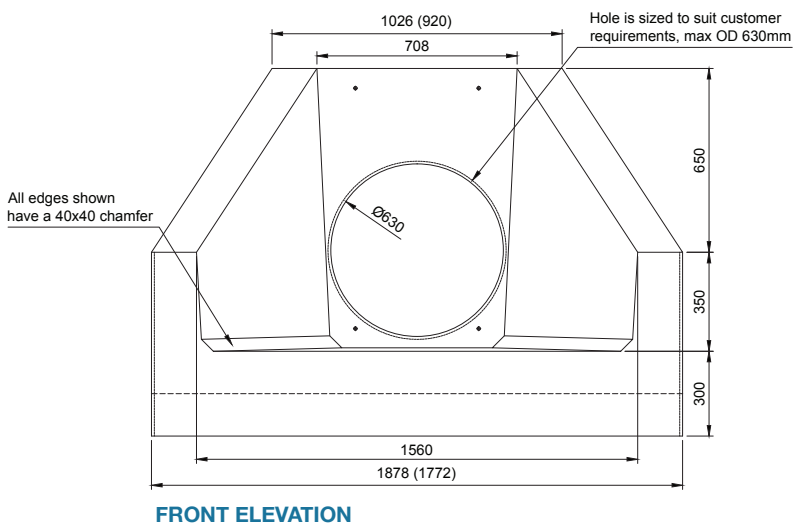
# Medium headwall

Pipe size: up to 450mm



**Please note:**  
Bespoke grates and handrails are available upon request.

**Please note:**  
Number in brackets relates to medium headwall with 100mm wall.



Headwall Range	Up to and including Pipe Sizes	Max Pipe O.D.	Back Wall Height (external)	Front Wall Height (external)	Backwall Width (internal)	Front Wall Width (internal)	Headwall Length	Standard invert level (variable)	Wall Thickness	Floor Thickness	Approx. weight kg
HW Med 100	450	630	1150	650	708	1560	1320	100	100	162	1540
HW Med 150	450	630	1150	650	708	1560	1370	100	150	162	2020