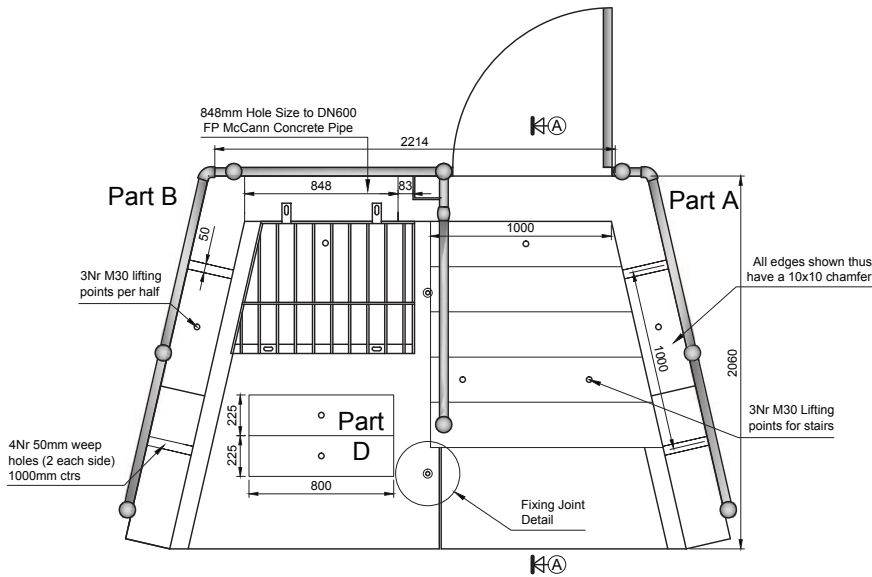


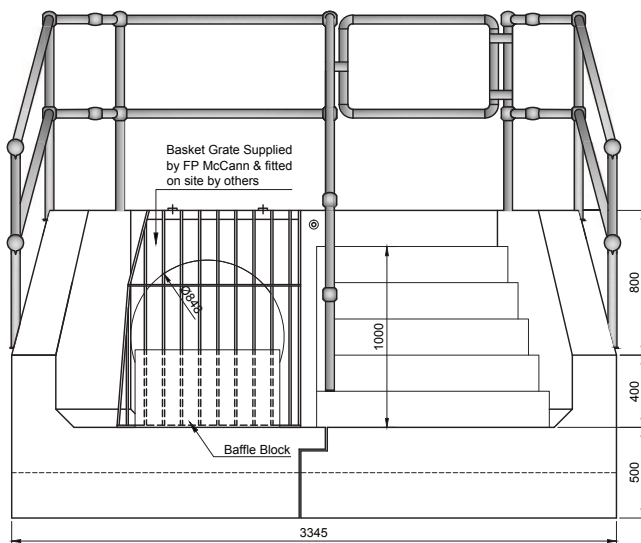
# Bespoke example 3 headwall



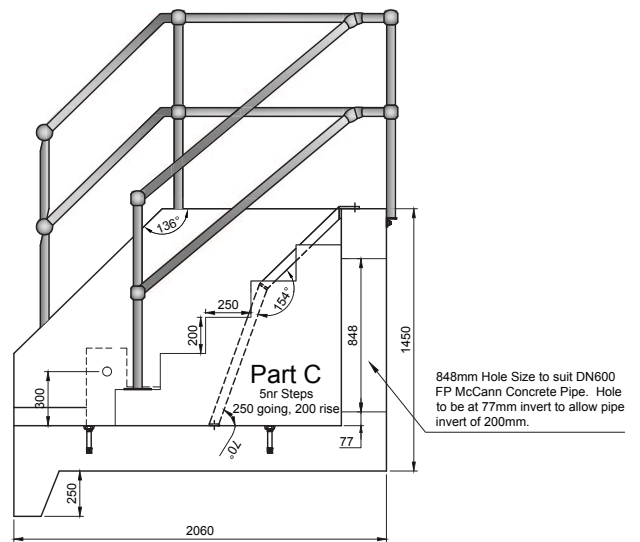
PLAN VIEW

XL T3 Headwall  
 848mm hole to suit 600 pipe  
 Stairs  
 Baffle Block  
 Handrail  
 Basket Grate

**Please note:**  
 Bespoke grates and handrails are available upon request.



FRONT ELEVATION



SECTION A-A