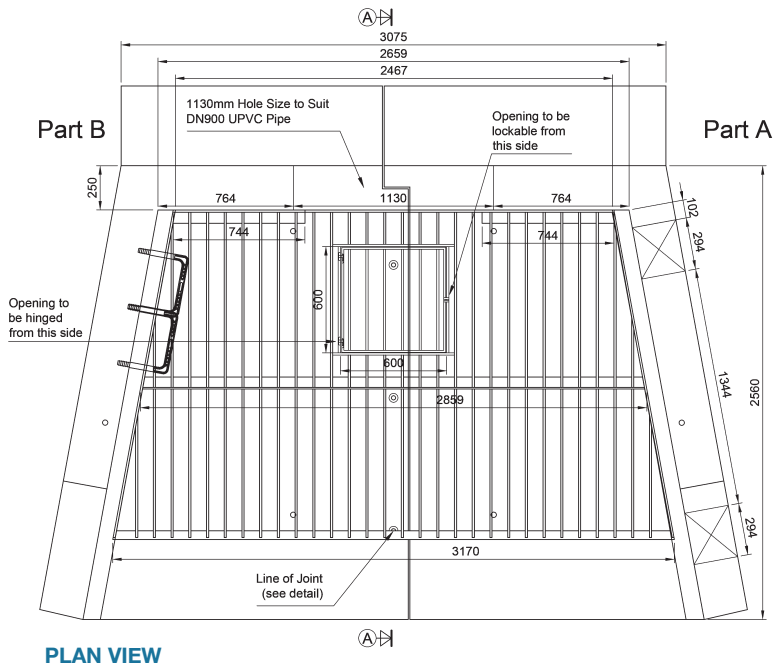


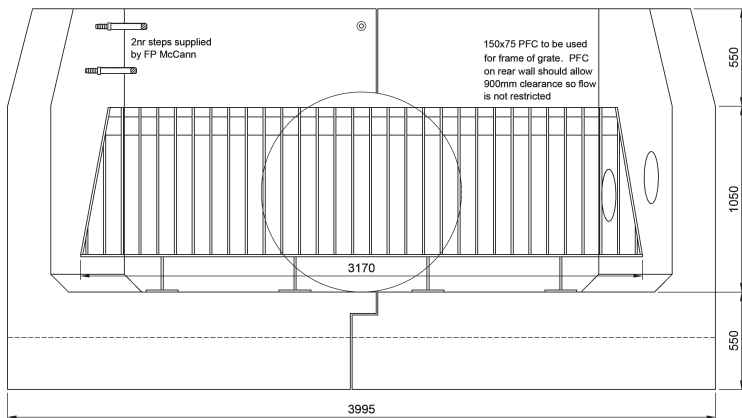
Bespoke example 2 headwall



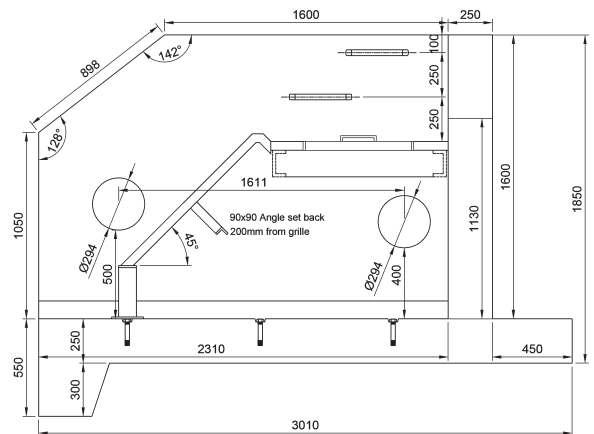
PLAN VIEW

XXL T3 Headwall
 1130mm hole to suit 900 pipe
 Special Grate with hinged access
 Ladders

Please note:
 Bespoke grates and handrails are available upon request.



FRONT ELEVATION



SECTION A-A