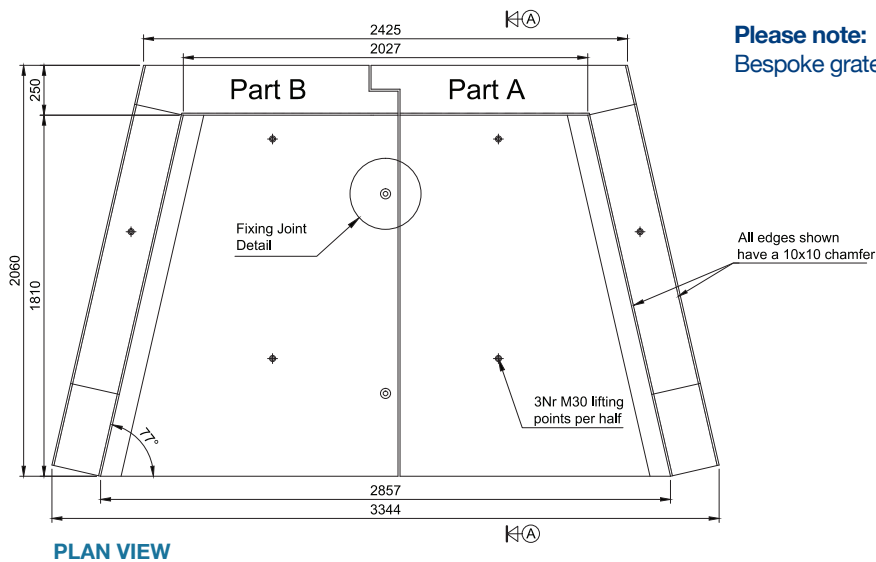


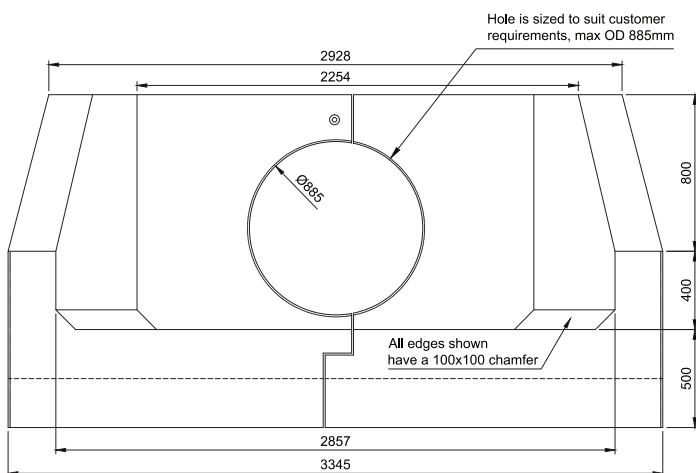
XL-T3 headwall

Pipe size: up to 675mm

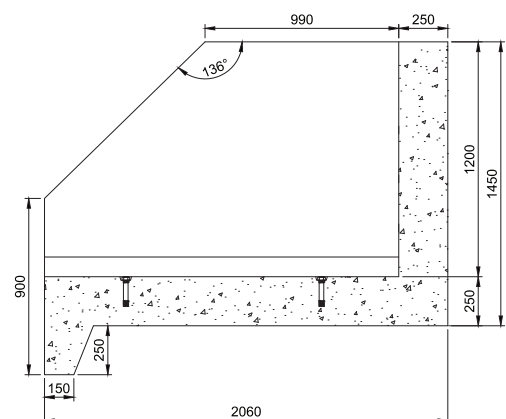


PLAN VIEW

Please note:
Bespoke grates and handrails are available upon request.



FRONT ELEVATION



SECTION A-A

| Headwall Range | Up to and including Pipe Sizes | Max Pipe O.D. | Back Wall Height (external) | Front Wall Height (external) | Backwall Width (internal) | Front Wall Width (internal) | Headwall Length | Standard invert level (variable) | Wall Thickness | Floor Thickness | Approx. weight kg |
|----------------|--------------------------------|---------------|-----------------------------|------------------------------|---------------------------|-----------------------------|-----------------|----------------------------------|----------------|-----------------|----------------------------|
| HW XL-T3 | 675 | 885 | 1450 | 900 | 2027 | 2857 | 2060 | 100 | 250 | 250 | Part A 3465 Part B 3465 |