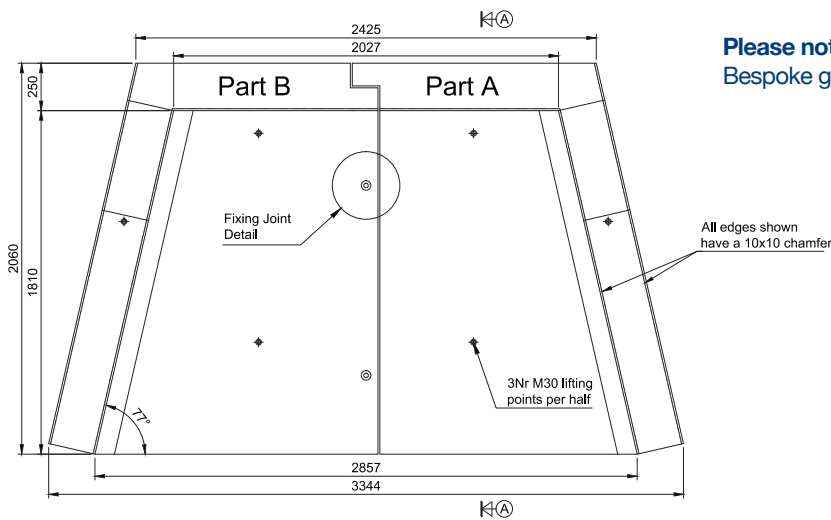


# XL-T2 headwall

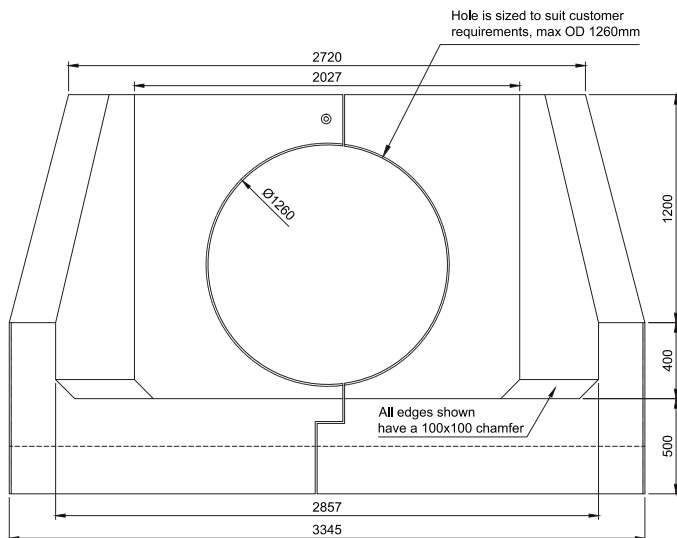
Pipe size: up to 1050mm



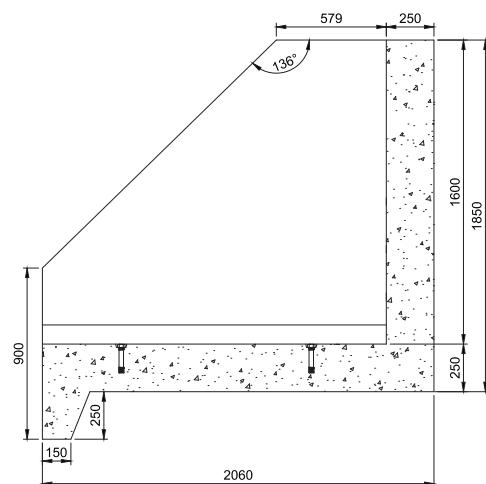
**Please note:**  
Bespoke grates and handrails are available upon request.



PLAN VIEW



FRONT ELEVATION



SECTION A-A

Headwall Range	Up to and including Pipe Sizes	Max Pipe O.D.	Back Wall Height (external)	Front Wall Height (external)	Backwall Width (internal)	Front Wall Width (internal)	Headwall Length	Standard invert level (variable)	Wall Thickness	Floor Thickness	Approx. weight kg
HW XL-T2	1050	1260	1850	900	2027	2857	2060	100	250	250	Part A 4095 Part B 4095