

# kerbs & channel range

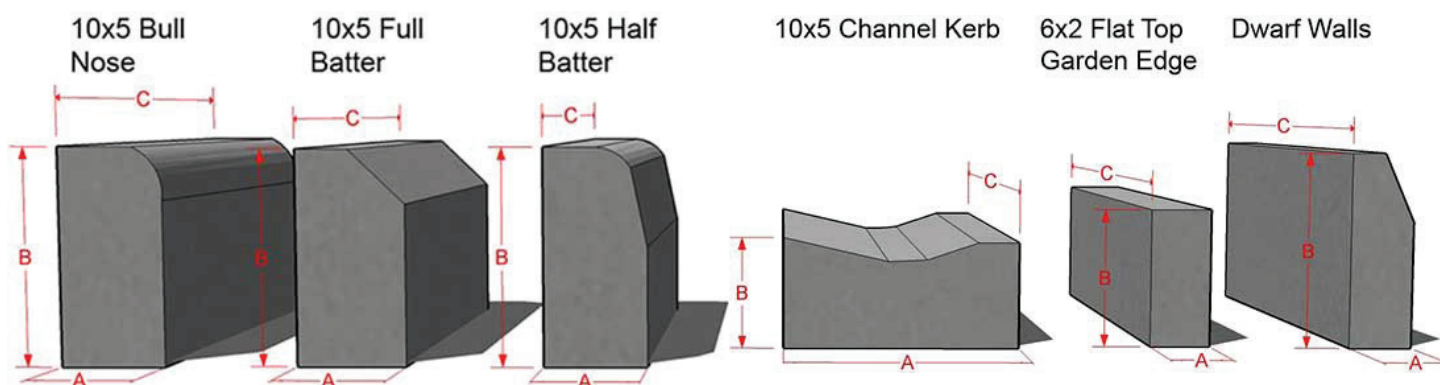


Technical helpline 028 7954 9026  
fpmccann.co.uk/drainage

## Drainage and Water Management Solutions



FP McCann manufacture a complete Kerb & Channel range, to fully satisfy all construction and infrastructure requirements.



Description	A - Width (mm)	B - Height (mm)	C - Length (mm)	Number (p/tonne)
Bullnosed	125	255	915	14
Full Batter	125	255	915	16
Half Batter	125	255	915	15
Full Batter	150	255	915	13
Half Batter	150	255	915	14
Channel	255	125	915	15
Flat & Round Top Edgings	50	150	915	60
DwarfWall	90	380	915	15
Dropper Kerb	125	255 - 150	915	20