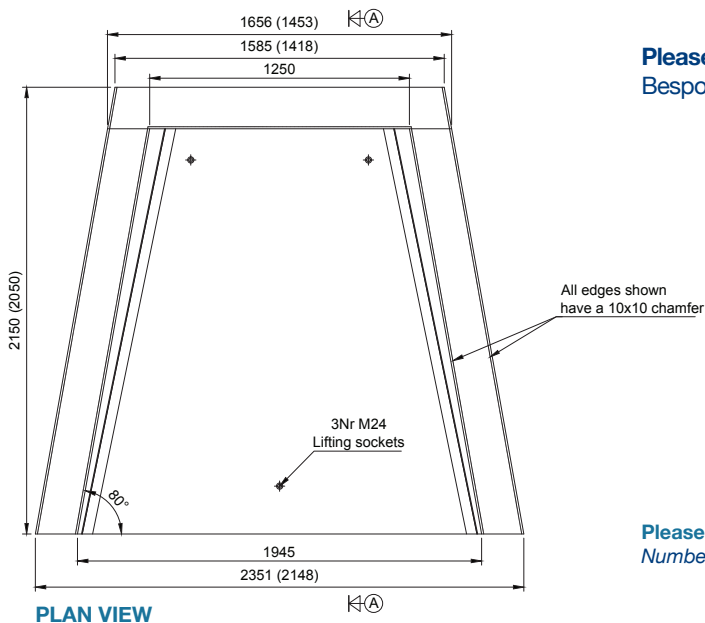


Large headwall

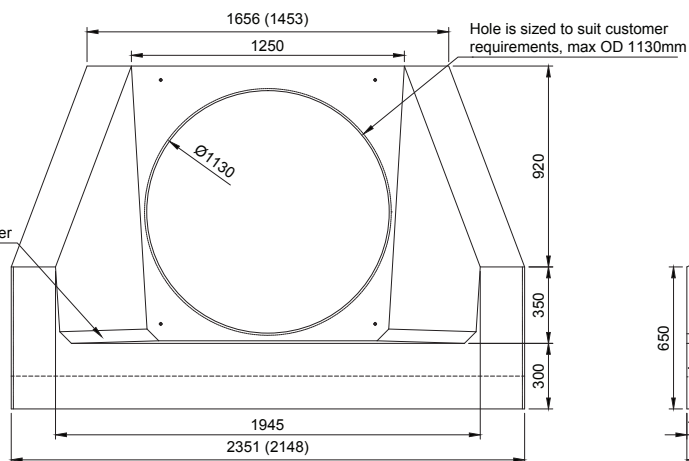
Pipe size: up to 900mm



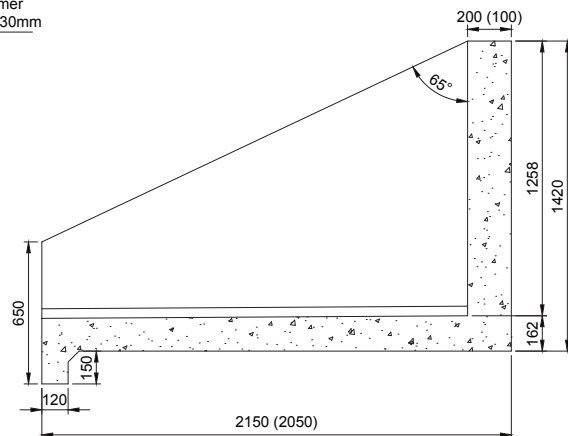
Please note:
Bespoke grates and handrails are available upon request.

Please note:
Number in brackets relates to large headwall with 100mm wall.

PLAN VIEW



FRONT ELEVATION



SECTION A-A

Headwall Range	Up to and including Pipe Sizes	Max Pipe O.D.	Back Wall Height (external)	Front Wall Height (external)	Backwall Width (internal)	Front Wall Width (internal)	Headwall Length	Standard invert level (variable)	Wall Thickness	Floor Thickness	Approx. weight kg
HW Large 100	900	1130	1420	650	1250	1945	2050	100	100	162	3020
HW Large 200	900	1130	1420	650	1250	1945	2150	100	200	162	4740